

SERIES 3500

Doublehung

CURVED FRAME



BEVELED FRAME



FEATURES AND BENEFITS

- AAMA-approved profiles, multi-chambered for increased rigidity and performance
- Fusion-welded corners provide strength, weather-ability and longevity
- 3-9/16" deep frame with or without interior and/or exterior accessory grooves
- Frame reveal can be beveled or curved
- Optional uni-frame sill with adapter, or true sloped sill
- Sloped sill doesn't require weep holes
- Integral nailing fin at 1-1/4" or 1-3/8" setback, with break-off notch
- Integral siding J-channel with break-off notch
- Numerous frame options, e.g. with or without fin, J-channel or accessory grooves
- Sash has double-wall glazing legs and beveled interior face
- Dual-weatherstripping in all locations
- Single or dual sweep lock with keeper(s)
- Insulating glass up to 7/8" overall thickness
- Integral lift handles on all sash rails
- Integral interlocks on meeting rails
- Tilt-in operation for ease of cleaning; sash are removable for service
- Can use block & tackle, spiral or constant-force coil balances
- Numerous I.G. options are possible, including triple-pane, Low E coatings, internal grids
- 180° and bay/bow configurations available
- Field mulling and impost frame (common jamb) systems available
- Matching picture windows and horizontal sliders are available
- Designed for AAMA DP40-50 structural on selected sizes with proper reinforcement
- Designed for AAMA DP50 water rating with either sill option
- Forced Entry Resistance (FER) and windborne debris (impact) resistance ratings possible with proper hardware and glazing

359 PRINTWOOD DRIVE
DICKSON, TN 37065

PHONE: (615) 325-0001
FAX: (615) 326-0002

INFO@BAVARIANPOLYMERS.COM
WWW.BAVARIANPOLYMERS.COM

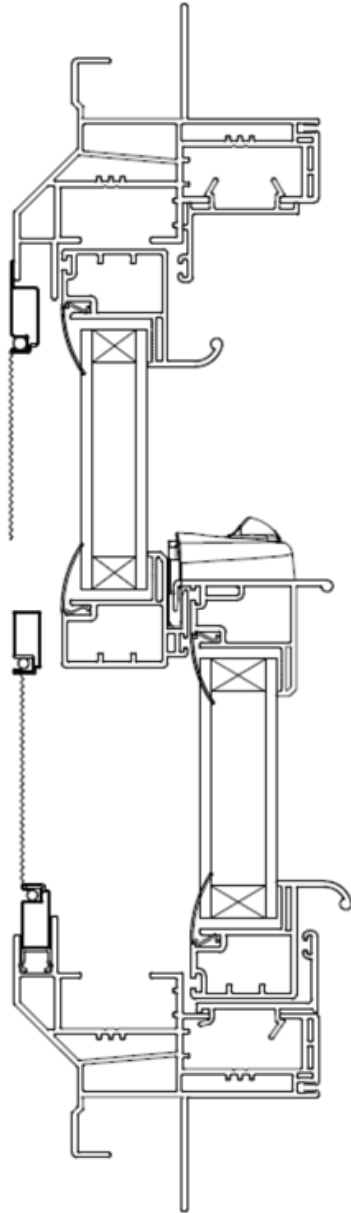
BAVARIAN POLYMERS



SERIES 3500

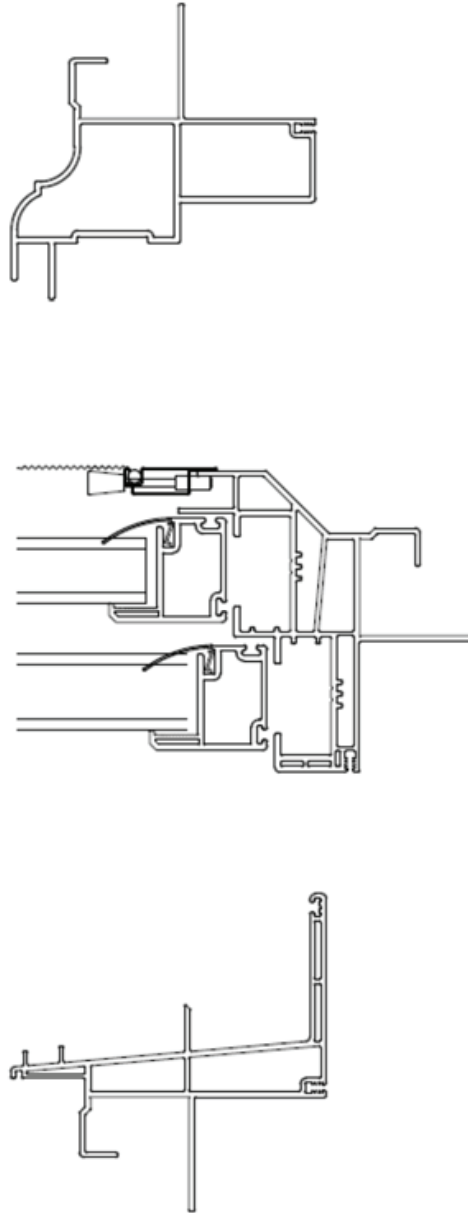
Doublehung

BEVELED HEAD w/ADAPTER



UNI-FRAME SILL w/ADAPTER

CURVED DEDICATED HEAD



TRUE SLOPED SILL

359 PRINTWOOD DRIVE
DICKSON, TN 37065

PHONE: (615) 325-0001
FAX: (615) 326-0002

INFO@BAVARIANPOLYMERS.COM
WWW.BAVARIANPOLYMERS.COM

BAVARIAN POLYMERS

