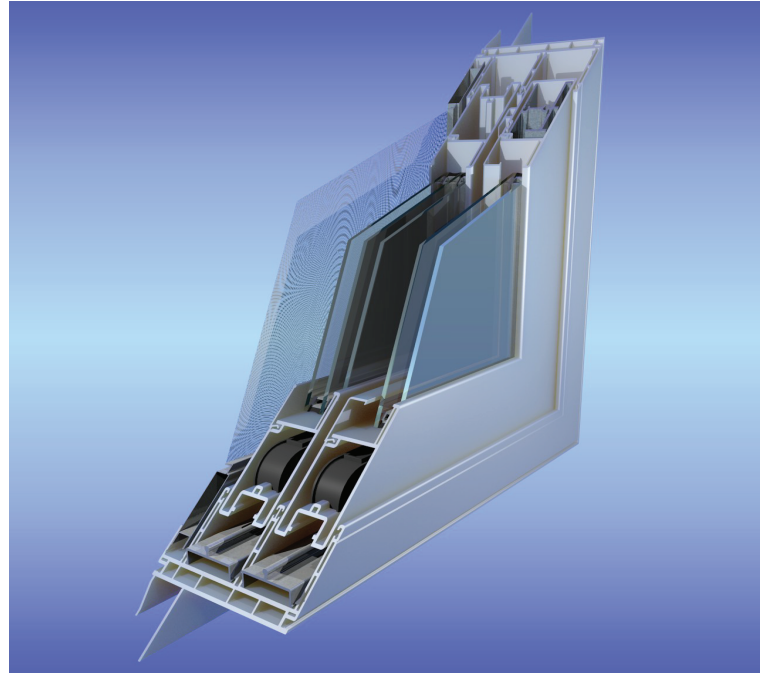


SERIES 5052

Dual Panel Sliding Glass Door

**DUAL PANEL - DP50 - 1-1/4" I.G.
IMPACT - R5 - INTEGRAL J-CHANNEL
WHITE, TAN OR CLAY VINYL
LAMINATE AVAILABLE IN COLOR
OR WOOD GRAIN**



FEATURES AND BENEFITS

FRAME

- Typical wall thickness .075"
- 4-9/16" frame depth; accessory/trim grooves inside and outside
- Weep slots do not interfere with accessory grooves
- Available configurations: XX, OX, OXO, OXXO
- .750" X .800" integral sliding J-Channel; can be slit off inline
- Removable nailing fin (1-1/4" set-back) for retro-fit (flush) applications
- Dual weatherstripping all around
- Installation screws supports in panel track
- Removable panel and screen roller tracks
- Snap-in cover for unused jams track available; no exposed installation screws
- Most accessory parts fit optional direct-glazed frame

PANELS

- Typical wall thickness .075"
- 7/8" glazing leg height
- Exterior-glazed; designed for impact testing to Miami-Dade and ASTM standards
- 1-9/16"x3 profiles; 3/4" glass penetration
- Panel and interlock profiles are used in optional direct-glazed frame
- Panel stiles and rails are the same profile
- Equal glass size for manufacturing efficiency and grid alignment
- Mortise lock recessed into leadstile groove for increased stile penetration into jamb
- 3/16" (Minimum) take-out clearance

Continued on Page 2

359 PRINTWOOD DRIVE
DICKSON, TN 37065

PHONE: (615) 325-0001
FAX: (615) 326-0002

INFO@BAVARIANPOLYMERS.COM
WWW.BAVARIANPOLYMERS.COM

BAVARIAN POLYMERS



SERIES 5052

Dual Panel Sliding Glass Door

PANELS

Continued from Page 1

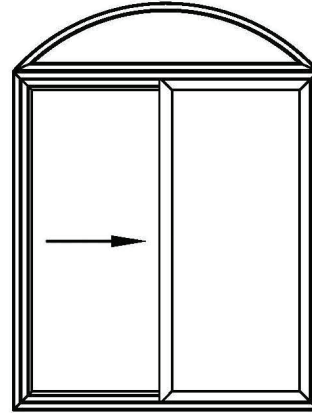
- Glazing options from 3/4" I.G. to 1-1/4" I.G.
- Glass stops snap in perpendicular to glazing for ease of insertion
- Dual-weatherstripped integral interlocks
- Large interlock hollows for optional high-performance reinforcement
- Interlock reinforcement is identical in both panels

PERFORMANCE

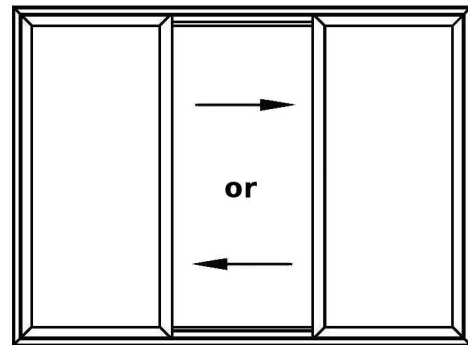
- The 5052 door has not yet been tested. See the Series 5051 Direct-Glazed Sliding Door brochure for performance levels; the 5052 door is expected to achieve similar ratings
- Zone 4 impact rating possible when the required interlayer and sealant are utilized

HARDWARE

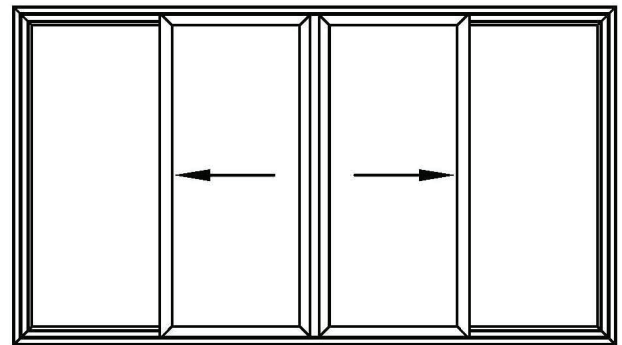
- Designed to accept a wide range of single and multi-point locks and trim sets
- Secondary locks (thumb-turn) are an option to multi-point locks
- Designed to accept almost any commercially available roller assembly
- Single or tandem wheels and end or side-adjust rollers optional
- Anti-lift-out devices available
- Designed to accept a wide variety of sill weep hole covers



XO (OX) or XX



OXO



OXXO

359 PRINTWOOD DRIVE
DICKSON, TN 37065

PHONE: (615) 325-0001
FAX: (615) 326-0002

INFO@BAVARIANPOLYMERS.COM
WWW.BAVARIANPOLYMERS.COM

BAVARIAN POLYMERS



