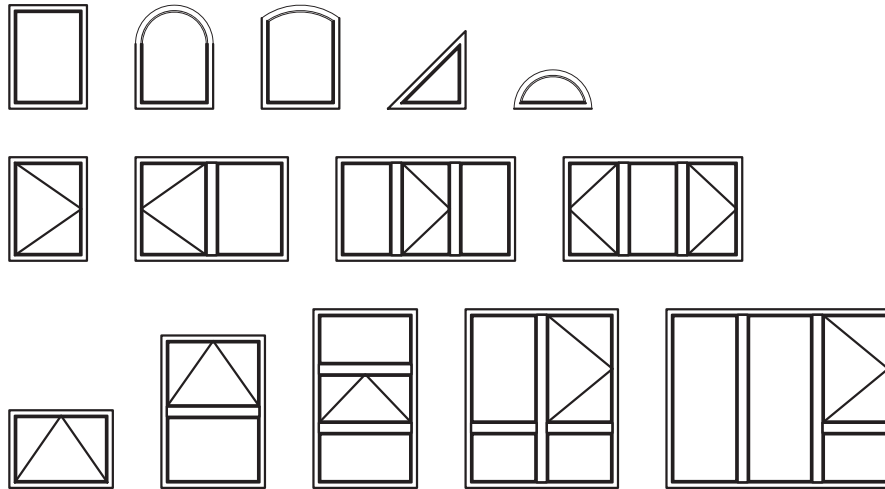


# Bavarian Aspekt Casement and Awning Windows



**CONFIGURATIONS**



**SINGLE CASEMENT**

## FEATURES AND BENEFITS

### FRAME

- AAMA-approved, impact-resistant frame and weatherable vinyl profiles-multi-chambered for rigidity and thermal performance
- Fusion-welded corners for strength, weather-tightness
- Optional frame depths; 3-1/4", 3-3/8" and 3-1/2" to accommodate residential and commercial applications
- Optional installation methods; nailing fin, metal straps and brickmold
- Integral accessory grooves for mulling and trim applications
- Integral screen channel accepts a wide variety of screen types and hardware
- Frame doesn't require weep holes
- Reinforced for high structural performance
- Snap-in frame extenders from 1-1/4" to 4-3/8" wide

### VENT

- AAMA-approved, impact resistant and weatherable vinyl profiles-multi-chambered for rigidity and thermal performance
- Fusion-welded corners for strength, weather-tightness
- Double-wall glazing legs and glass stops for improved structural performance
- Glazing beads have an integral flexible nose
- Field-replaceable triple weather seals (one fin, two bulbs) minimize dust, air and water infiltration
- Easy operating crank has an attractive, low-profile folding handle
- Multi-point locks have adjustable keepers and function with a single lever
- Insulating glass overall thickness up to 1-3/8" I.G. for superior thermal and sound insulation
- Reinforced for high structural performance

359 PRINTWOOD DRIVE  
DICKSON, TN 37065

PHONE: (615) 325-0001  
FAX: (615) 326-0002

INFO@BAVARIANPOLYMERS.COM  
WWW.BAVARIANPOLYMERS.COM

# BAVARIAN POLYMERS

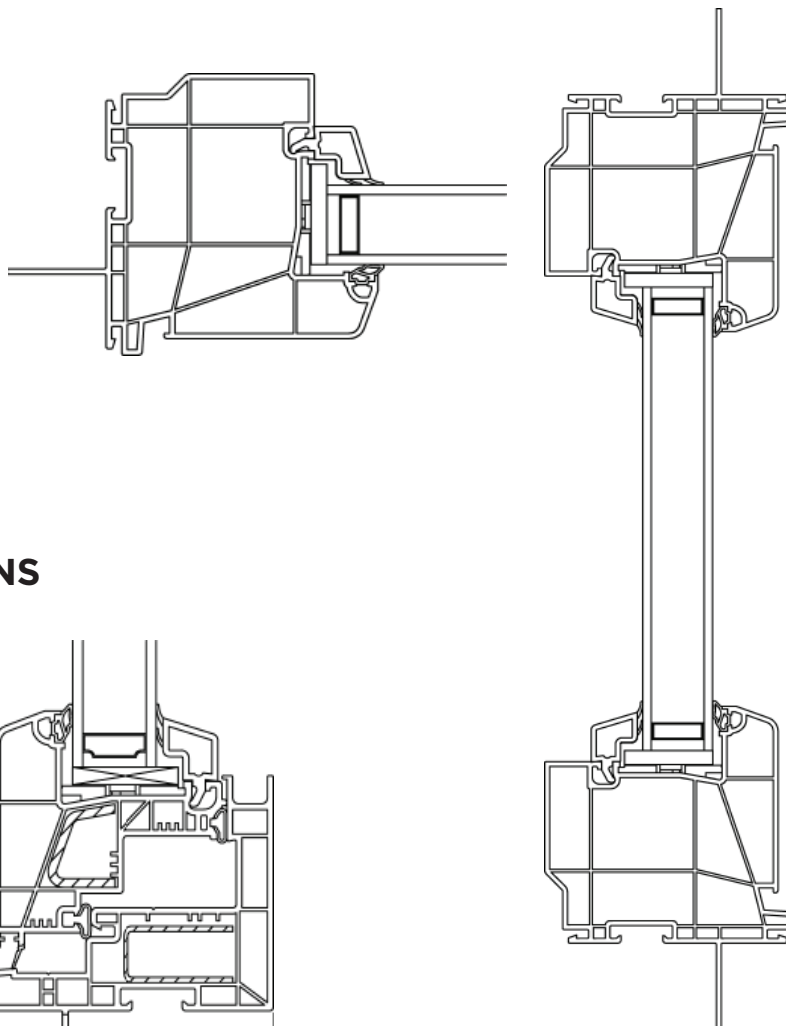


# Bavarian Aspekt Casement and Awning Windows

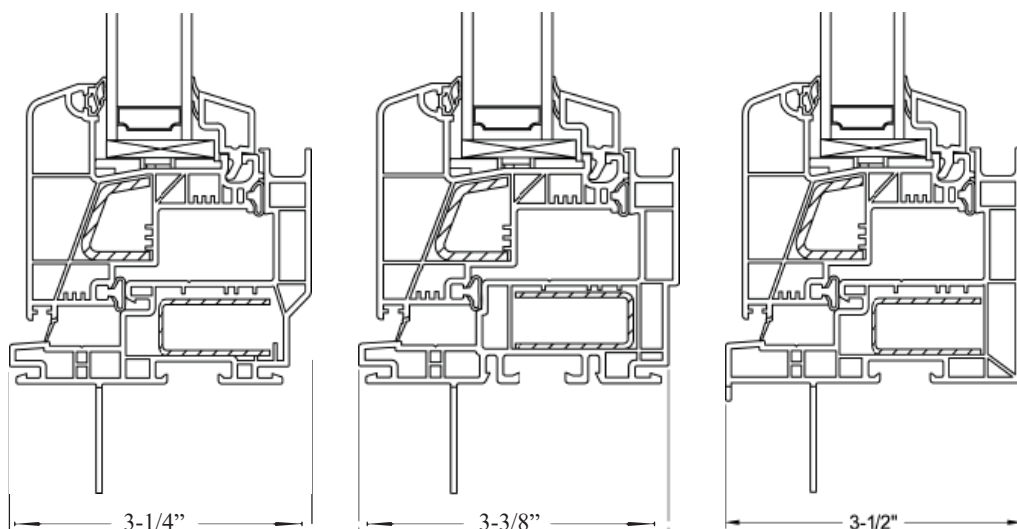
## OPTIONS & PERFORMANCE

- Low E insulating glass coatings, argon fill
- Internal GBD and external SDL grids
- Available in weatherable white, tan and clay colors
- Factory built twins, triples and combination products
- Picture windows and architectural shapes
- AAMA Residential and Commercial ratings up to Performance Grade 70
- AAMA Forced Entry Resistance (FER) rated
- NFRC u. 18 thermal simulation
- ASTM sound testing up to STC 45
- Dade County, FL, windborne debris (impact) rated

## LARGE FIXED LITE WINDOW CROSS SECTIONS



## CASEMENT FRAME OPTIONS



359 PRINTWOOD DRIVE  
DICKSON, TN 37065

PHONE: (615) 325-0001  
FAX: (615) 326-0002

INFO@BAVARIANPOLYMERS.COM  
WWW.BAVARIANPOLYMERS.COM

# BAVARIAN POLYMERS

